



# VILLAGE OF ORLAND PARK, ILLINOIS

## INVITATION TO BID

### Concrete Deck Installation

ISSUED

January 13, 2011

BID OPENING

January 27, 2011

11:00 am

**VILLAGE OF ORLAND PARK, ILLINOIS**  
**Concrete Deck Installation**  
**INVITATION TO BID**

**TABLE OF CONTENTS**

**I. INSTRUCTIONS TO BIDDERS**

- Overview ..... 2
- Bid Specifications ..... 4
- General Provisions ..... 10
- Bid Submission Requirements..... 13
- Evaluation of Bids/Bidders ..... 15
- Bid Submittal Checklist ..... 16

**II. REQUIRED BID SUBMISSION DOCUMENTS**

- Bidder Summary Sheet..... 18
- Business Organization ..... 19
- Certificate of Eligibility to Enter into Contracts ..... 20
- Equal Employment Opportunity ..... 21
- Certification of Compliance With the Illinois Prevailing Wage Act..... 23
- Contractor’s Certification Sexual Harassment, Tax & Substance Abuse . 24
- Apprenticeship and Training Program Certification..... 25
- References ..... 26
- Insurance Requirements..... 27

**III. EXHIBITS/ ADDITIONAL INFORMATION**

- Exhibit A Local Vendor Purchasing Policy ..... 29
- Exhibit B Sample Standard Form Contract ..... 30
- Exhibit C Sample Terms & General Conditions ..... 34

**VILLAGE OF ORLAND PARK, ILLINOIS**  
**Concrete Deck Installation**  
**INVITATION TO BID**

**I. INSTRUCTIONS TO BIDDERS**

**OVERVIEW**

The Village of Orland Park requests Bids for Concrete Deck Installation (“the Project”) in the Village of Orland Park, Illinois (“Village”). See the Plans and Specifications prepared by J.V.Henik, Inc. for details on the Project (“Plans and Specifications”).

The Plans and Specifications can be obtained from the Office of the Village Clerk located at 14700 South Ravinia Avenue, Orland Park, Illinois 60462, Monday thru Friday, 8:00am to 5:00pm, local prevailing time.

In order to be responsive, All SEALED BIDS must be signed and received by the Village Clerk, Village of Orland Park in the Office of the Village Clerk, 14700 South Ravinia Avenue, Orland Park, Illinois 60462, not later than 11:00 a.m., local prevailing time on Thursday, January 27, 2011. All sealed bids submitted properly will be opened publicly and read aloud immediately following the stated submission time for the Project which described in detail consists of the following:

Removal of existing fiberglass decking and replacement with concrete at Centennial Pool 15600 West Ave. in Orland Park, IL 60462, as per drawings and specifications.

Oral, telephonic, facsimile or electronically transmitted bids shall not be considered.

No oral comments will be made to any Bidder as to the meaning of the Plans and Specifications or other contract documents. Requests for comments shall be made in writing and directed to Frank Stec via fax at (708) 403-6289. Inquiries received in writing within seven (7) or more days prior to the bid opening will be given consideration and answers will be provided in writing to all potential bidders and will be available to the public. Bidders will not be relieved of obligations due to failure to examine or receive documents, visit the site or become familiar with conditions or facts of which the Bidder should have been aware and the Village will reject all claims related thereto.

Information (other than in the form of a written Addendum issued by the Village) from any officer, agent, or employee of the Village or any other person shall not affect the risks or obligations assumed by the bidder or relieve him from fulfilling any of the conditions and obligations set forth in the bid and other contract documents. Before the bids are opened, all modification or additions to the Plans, Specifications or General Provisions, or other bid documents will be made in the form of a written Addendum issued by the Village. The Village will send copies of any such Addendum not less than three (3) calendar days before bids are opened to those persons who have received bid packages and provided sufficient contact information. In the event of conflict with the original contract documents, addenda shall govern all other contract documents to the extent specified. Subsequent

**VILLAGE OF ORLAND PARK, ILLINOIS**  
**Concrete Deck Installation**  
**INVITATION TO BID**

addenda shall govern over prior addenda only to the extent specified.

**The bidder shall be required to acknowledge receipt of the formal Addendum by signing the Addendum and including it with the bid quotation.** Failure of a bidder to include a signed formal Addendum in its bid quotation shall deem its quotation non-responsive; provided, however, that the Village may waive this requirement in its best interest.

Any references in the Plans and Specifications to manufacturer's name, trade name, or catalog number (unless otherwise specified) is intended to be descriptive but not restrictive and only to indicate articles or materials that will be satisfactory. Bids on other will be considered, provided each bidder clearly states on the face of their bid exactly what is proposed to be furnished. Unless so stated in the bid, it shall be understood that the bidder intends to furnish the item specified and does not propose to furnish an "equal." The Village hereby reserves the right to approve as an equal, or to reject as not being an equal any article the bidder proposes to furnish which contains minor or major variations from specification requirements, but which may comply substantially therewith.

**VILLAGE OF ORLAND PARK, ILLINOIS**  
**Concrete Deck Installation**  
**INVITATION TO BID**

**BID SPECIFICATIONS FOR:**

Concrete Deck Installation

**SCOPE OF WORK:**

The Village of Orland Park, Illinois is requesting bids for new concrete decking at Centennial Pool 15600 West Ave. in Orland Park, IL 60462, which includes removal of existing fiberglass decking and replacement with concrete as per specifications. All Pool units removed for new decking must be replaced and operational at the completion of work performed.

**Plans and Specifications per J.V. Henik, Inc.:**

See pages 5-8 below.

# VILLAGE OF ORLAND PARK, ILLINOIS

## Concrete Deck Installation

### INVITATION TO BID

DRAWING INDEX	
S-1	GENERAL NOTES
S-2	FLOOR FRAMING PLANS
S-3	FLOOR FRAMING PLANS
S-4	SECTION

**GENERAL NOTES:**

THE FOLLOWING NOTES SHALL APPLY UNLESS OTHERWISE SHOWN OR NOTED ON THE PLANS:

1. DESIGN AND CONSTRUCTION SHALL BE IN ACCORDANCE WITH THE INTERNATIONAL BUILDING CODE 2006 AND WITH VILLAGE OF ORLAND PARK AMENDMENTS.
2. THE CONTRACTOR SHALL VERIFY ALL DIMENSIONS IN THE FIELD PRIOR TO COMMENCING WORK. THE ENGINEER SHALL BE NOTIFIED OF ANY DISCREPANCIES WHICH MAY EXIST.
3. INSPECTIONS SHALL BE MADE ON ALL MATERIALS AND PROCESSES AS SPECIFIED BELOW:
  - A. CONCRETE HAVING A STRENGTH IN EXCESS OF 2000 PSI
  - B. WELDING
4. MATERIAL TESTS SHALL BE MADE AS SPECIFIED. CONCRETE TEST CYLINDERS SHALL BE MADE FOR ALL CONCRETE. TEST RESULTS SHALL BE DETERMINED BY THE TESTING LABORATORY.
5. TOP OF FLOORS SHALL BE TRUE TO INDICATED ELEVATIONS. VARIATIONS SHALL NOT EXCEED 1/4" IN 10 FEET. CARE MUST BE EXERCISED IN FINISHING OPERATIONS TO OBTAIN A TRUE SURFACE.
6. DETAILS, SECTIONS AND NOTES SHOWN ON THIS DRAWING ARE INTENDED TO BE TYPICAL AND SHALL APPLY TO SIMILAR SITUATIONS ELSEWHERE, UNLESS OTHERWISE SHOWN.
7. USE BONDING ADHESIVE AND SEALER AT ALL CONSTRUCTION JOINTS IN SUPPORTED SLABS.
8. CONTRACTOR SHALL FURNISH ALL NECESSARY BRACING REQUIRED TO PROPERLY CONSTRUCT THE STRUCTURE. ALL BRACING TO BE DESIGN AND SEALED BY LICENSED STRUCTURAL ENGINEER. SUBMIT TO ENGINEER FOR APPROVAL PRIOR TO PROCEEDING.
9. DO NOT SCALE DRAWINGS.
10. THE CONTRACTOR SHALL BE RESPONSIBLE FOR SHEETING AND SHORING ADJACENT STRUCTURES AS REQUIRED SO THAT THEY ARE NOT ENDANGERED BY THIS CONSTRUCTION. SHORING SHALL BE DESIGNED BY LICENSED STRUCTURAL ENGINEER AND SEALED.

**DESIGN LOADS:**

1. DESIGN DEAD LOADS ARE IN ACCORDANCE WITH SHOWN PHYSICAL STRUCTURE.
2. THE DESIGN LIVE LOADS ARE AS FOLLOWS:
 

A. DECK:	
LIVE LOAD	= 100 PSF
DEAD LOAD	= 28 PSF
TOTAL LOAD	= 128 PSF

**MATERIALS:**

1. CONCRETE:
  - A. CONCRETE STRENGTHS AT 28 DAYS SHALL BE AS FOLLOWS:
    - A.1. SLABS  $f'_c = 4000$  PSI
  - B. AIR ENTRAINMENT SHALL BE USED IN ALL CONCRETE.
  - C. CONCRETE MIX DESIGNS SHALL BE PREPARED BY AN APPROVED TESTING LABORATORY. MIX DESIGNS SHALL BE SUBMITTED TO THE ENGINEER FOR APPROVAL BEFORE USE.
  - D. FINE AND COARSE AGGREGATES SHALL BE STONE AGGREGATES CONFORMING TO ASTM C33.
  - E. PORTLAND CEMENT SHALL BE TYPE I OR II CONFORMING TO ASTM C150.
  - F. THE WATER-CEMENT RATIO FOR BEAMS AND SLABS SHALL NOT EXCEED 0.40. SUPERPLASTICIZERS MAY BE USED.
2. REINFORCEMENT:
  - A. WELDED WIRE FABRIC USED FOR SLAB CONSTRUCTION SHALL CONFORM TO ASTM A684 FOR WELDED WIRE EPOXY COATED.

SUBMIT ALL SHOP DRAWING TO THE ENGINEER FOR REVIEW AND GENERAL CONFORMANCE TO THE CONSTRUCTION DOCUMENTS. PRIOR TO SUBMISSION TO THE ENGINEER, THE GENERAL CONTRACTOR SHALL REVIEW AND APPROVE SHOP DRAWINGS. AN APPROVAL STAMP OF THE SHOP DRAWING IS REQUIRED.

**DECK NOTES:**

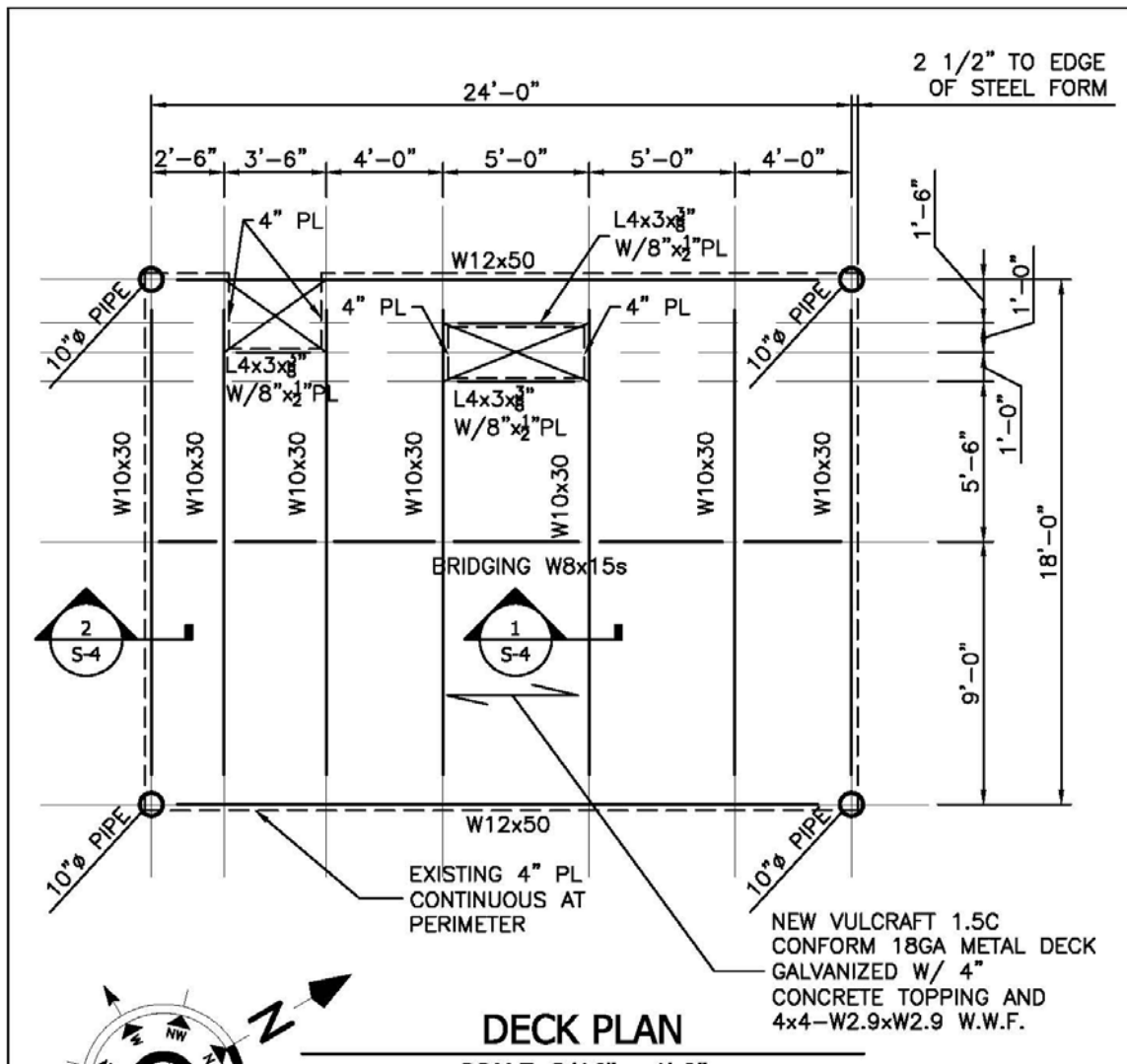
FOLLOWING NOTES SHALL APPLY:

1. THE STEEL DECK MANUFACTURER SHALL BE RESPONSIBLE FOR THE DESIGN, MANUFACTURE AND INSTALLATION OF THEIR PRODUCTS, INCLUDING ALL ACCESSORIES AND CONNECTIONS NECESSARY FOR THE COMPLETE INSTALLATION. DECKS SHALL BE DESIGNED FOR ALL LOADING CONDITIONS REQUIRED BY THE GOVERNING BUILDING CODES IN ADDITION TO ANY SPECIFIC LOADINGS SHOWN ON THE DRAWINGS. THE DESIGN, MANUFACTURE AND INSTALLATION OF ALL DECKS, ACCESSORIES, ETC. SHALL BE IN ACCORDANCE WITH THE SPECIFICATIONS, INCLUDING LOAD TABLES, OF THE STEEL DECK INSTITUTE, LATEST EDITION.
2. ALL STEEL DECKS TO BE FABRICATED AND ERECTED IN ACCORDANCE WITH THE STEEL DECK INSTITUTE SPECIFICATIONS AND SO CERTIFIED. WHERE CONCENTRATED AND/OR NON-UNIFORM LOADS OCCUR, THE DECKS MUST BE DESIGNED TO CARRY THE FULL COMBINATION OF UNIFORM, NON-UNIFORM AND CONCENTRATED LOADS. THE NON-UNIFORM AND CONCENTRATED LOADS ARE SPECIFIED ON THE PLANS AND/OR LOADING DIAGRAMS SHOWN. THE DECK MANUFACTURER SHALL BE RESPONSIBLE FOR THE DECK DESIGNS BASED ON THE GIVEN LOADINGS AND SHALL SUBMIT CALCULATIONS FOR ALL SPECIAL DECKS, PREPARED UNDER THE SUPERVISION OF A LICENSED STRUCTURAL ENGINEER.
3. ALL DECKS SHALL BE WELDED TO THEIR STEEL SUPPORT MEMBERS, PER SDI SPECIFICATIONS, UNLESS NOTED OTHERWISE OR IF EXPANSION IS REQUIRED. ALL DECKS, U.L.D.O., SHALL BE DESIGNED FOR A LIVE LOAD DEFLECTION.
4. WHENEVER CONCENTRATED LOAD IS PLACED ON THE STEEL DECKS, THE STEEL DECKS SHALL BE REINFORCED PER MANUFACTURER'S DETAILS. AT A MINIMUM, THE DECKS SHALL BE REINFORCED WITH  $12 \times 12$  STRUTS FIELD WELDED BETWEEN THE LOCATION OF THE POINT LOAD.
5. ROOF DECK TO BE 1/2" DEEP WIDE RIB, 18 GAUGE GALVANIZED METAL DECK (U.L.D.O.) CONTINUOUS OVER 2 SPANS MINIMUM. ALL METAL DECKS TO BE FABRICATED AND INSTALLED IN ACCORDANCE WITH THE STEEL DECK INSTITUTE AND SO CERTIFIED.
6. CONDUIT, PIPING, FIXTURES OR ANY OTHER ITEMS SHALL NOT BE SUPPORTED FROM THE METAL DECK.



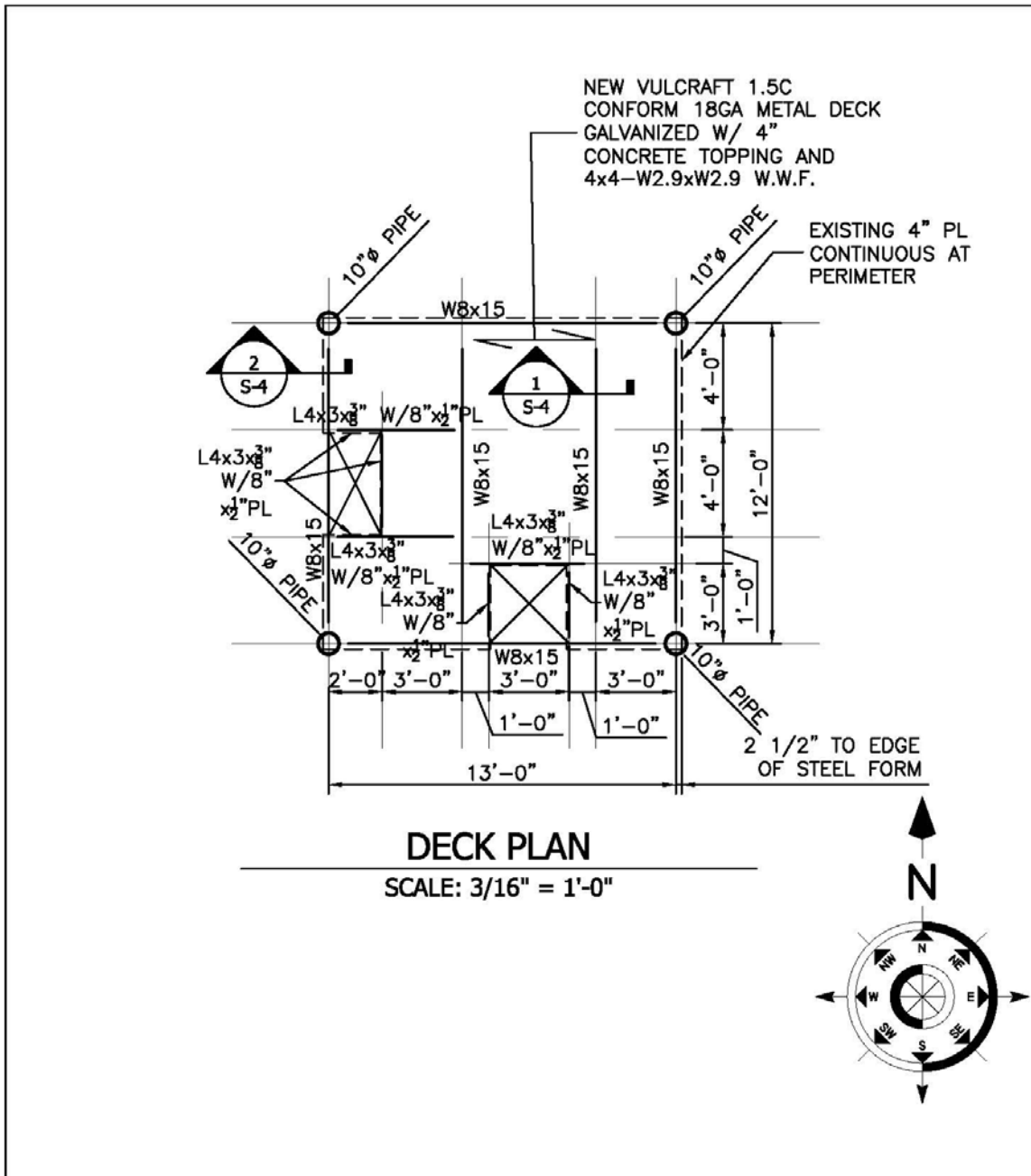
<p><b>J. V. Henik, Inc.</b> Structural Engineering</p> <p>Structural Design      2200 E. Devon Avenue, Suite 284 Forensic Investigations      Des Plaines, IL 60018 Restoration Engineering      847-823-9835 www.jvhenikinc.com      Fax: 847-823-9836 info@jvhenikinc.com</p>	<p><b>GENERAL NOTES</b></p> <p><b>ISSUED FOR CONSTRUCTION</b></p> <p><b>SEPTEMBER 29, 2010</b></p>										
WATERPARK, ORLAND PARK, IL	<table border="1" style="width: 100%; border-collapse: collapse;"> <tr> <td style="width: 15%;">SIZE</td> <td style="width: 35%;">FSCM NO.</td> <td style="width: 20%;">DWG NO.</td> <td style="width: 30%; text-align: center;">S-1</td> <td style="width: 15%;">REV</td> </tr> <tr> <td>SCALE</td> <td></td> <td></td> <td></td> <td>SHEET</td> </tr> </table>	SIZE	FSCM NO.	DWG NO.	S-1	REV	SCALE				SHEET
SIZE	FSCM NO.	DWG NO.	S-1	REV							
SCALE				SHEET							

VILLAGE OF ORLAND PARK, ILLINOIS  
 Concrete Deck Installation  
 INVITATION TO BID



<b>J. V. Henik, Inc.</b> Structural Engineering Structural Design 2200 E. Devon Avenue, Suite 284 Forensic Investigations Des Plaines, IL 60018 Restoration Engineering 847-823-9835 www.jvhenikinc.com info@jvhenikinc.com Fax: 847-823-9836	PLAN/LARGER SLIDE			
	ISSUED FOR CONSTRUCTION SEPTEMBER 29, 2010			
WATERPARK, ORLAND PARK, IL	SIZE	FSCM NO.	DWG NO. <b>S-2</b>	REV
SCALE		SHEET		REV

**VILLAGE OF ORLAND PARK, ILLINOIS**  
**Concrete Deck Installation**  
**INVITATION TO BID**

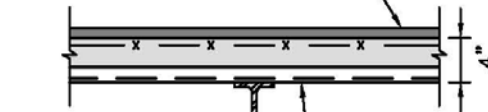


<b>J. V. Henik, Inc.</b> <i>Structural Engineering</i>	<b>PLAN/SMALL SLIDE</b>		
Structural Design    2200 E. Devon Avenue, Suite 284 Forensic Investigations    Des Plaines, IL 60018 Restoration Engineering    847-823-9835 www.jvhenikinc.com    info@jvhenikinc.com Fax: 847-823-9836	<b>ISSUED FOR CONSTRUCTION</b> <b>SEPTEMBER 29, 2010</b>		
WATERPARK, ORLAND PARK, IL	SIZE	FSCM NO.	DWG NO. <b>S-3</b>
	SCALE		REV
			SHEET



**VILLAGE OF ORLAND PARK, ILLINOIS**  
**Concrete Deck Installation**  
**INVITATION TO BID**

CONTRACTOR TO CONTACT  
ENGINEER FOR  
WATERPROOFING MEMBRANE

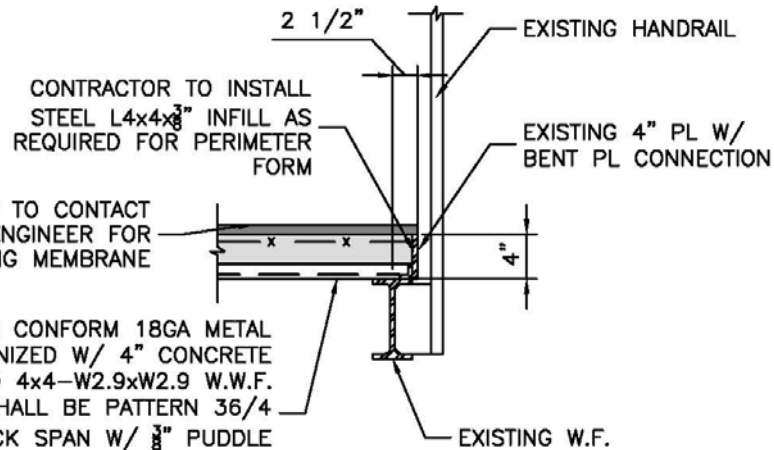


EXISTING W.F.

NEW VULCRAFT 1.5C CONFORM 18GA METAL  
DECK GALVANIZED W/ 4" CONCRETE  
TOPPING AND 4x4-W2.9xW2.9 W.W.F.  
ATTACHMENT SHALL BE PATTERN 36/4 OVER  
5 FT DECK SPAN W/ 3/8" PUDDLE WELDS  
AND (3) WELDED SIDELAP FASTENERS.  
SHEAR = 270#/FT

**1 SECTION**

Scale: 3/4" = 1'-0"



CONTRACTOR TO CONTACT  
ENGINEER FOR  
WATERPROOFING MEMBRANE

CONTRACTOR TO INSTALL  
STEEL L4x4x3/8" INFILL AS  
REQUIRED FOR PERIMETER  
FORM

EXISTING HANDRAIL

EXISTING 4" PL W/  
BENT PL CONNECTION

NEW VULCRAFT 1.5C CONFORM 18GA METAL  
DECK GALVANIZED W/ 4" CONCRETE  
TOPPING AND 4x4-W2.9xW2.9 W.W.F.  
ATTACHMENT SHALL BE PATTERN 36/4  
OVER 5 FT DECK SPAN W/ 3/8" PUDDLE  
WELDS AND (3) WELDED SIDELAP  
FASTENERS. SHEAR = 270#/FT

EXISTING W.F.

**2 SECTION**

Scale: 3/4" = 1'-0"

<b>J. V. Henik, Inc.</b> <i>Structural Engineering</i>	<b>DETAIL</b>		
Structural Design      2200 E. Devon Avenue, Suite 284 Forensic Investigations      Des Plaines, IL 60018 Restoration Engineering      847-823-9835 www.jvhenikinc.com      Fax: 847-823-9836 info@jvhenikinc.com	<b>ISSUED FOR CONSTRUCTION</b> <b>SEPTEMBER 29, 2010</b>		
WATERPARK, ORLAND PARK, IL	SIZE	FSCM NO.	DWG NO. <b>S-4</b>
	SCALE		SHEET

**VILLAGE OF ORLAND PARK, ILLINOIS  
Concrete Deck Installation  
INVITATION TO BID**

**SPECIAL CONDITIONS:**

All work must be completed by April 15, 2011.

**Bid Submission:**

Please provide a total bid price on the Bidders Summary Sheet located in Section II.

**VILLAGE OF ORLAND PARK, ILLINOIS**  
**Concrete Deck Installation**  
**INVITATION TO BID**

**GENERAL PROVISIONS**

**Contract** – The Additional Information section includes a standard contract, subject to modifications, that the successful bidder will be required to enter into with the Village of Orland Park within ten (10) business days of notice of bid award (hereinafter referred to as the “Contract”). Certain provisions of the Contract shall survive the expiration or termination of the Contract.

**Resident Inspector** – The Director of Parks, or his designee, reserves the right to make any inspections at any time during the work day.

**Period of Performance** - Actual work cannot begin until the Village issues a written Notice to Proceed to the Contractor. In order to receive said Notice, the Contractor shall submit to the Village for its approval all the necessary contracts, bonds, and insurance. Village approval of the contracts, bonds and insurance, shall be evidenced by its issuance of the signed contract by the Village and the Notice to Proceed. The Village reserves the right to terminate the relationship with the successful bidder if these documents are not submitted to and approved by the Village within ten (10) days of notice of bid award.

The work to be performed by the successful bidder shall be complete on or before April 15 2011. Liquidated damages shall be assessed after said date if the work is not complete.

Should the Contractor neglect, refuse, or fail to complete the work under the contract by April 15, 2011, and in view of the difficulty of estimating with exactness the damages caused by such delay, the Village shall have the right to charge the Contractor the sum of \$1000 per day for each and every calendar day that the work is not complete according to the Village’s Plans and Specifications as liquidated damages and not a penalty.

**Payments** – Payment terms shall be pursuant to the provisions of the Local Government Prompt Payment Act (50 ILCS 505/1 *et seq.*) after receipt by the Village of Contractor’s Dated Invoice, Contractor’s Sworn Statement, and Lien Waiver for the amount being requested. Invoices should include the following information:

- Name and address of contractor
- Purchase order number
- Dates of service
- Current invoice amount
- Invoices from subcontractors
- Lien Waivers from subcontractors

The Village may exercise its right to request photocopies of cancelled checks from the Contractor to his subcontractors, manufacturers, and suppliers, etc. Copies of these cancelled checks along with all applicable Lien Waivers shall accompany each pay

**VILLAGE OF ORLAND PARK, ILLINOIS**  
**Concrete Deck Installation**  
**INVITATION TO BID**

request and shall be submitted for the month previous to the amount shown on the pay request.

Upon the Village's request, invoices for progress payments must include supporting documentation such as packing slips, subcontractor's invoice and material invoices.

**Changes in the Scope of Work** - Changes in the contractual scope of work shall be preceded by a duly executed Change Order itemizing any change in the Contract sum or terms and conditions and, if required by the Village, approved by the Village Board of Trustees prior to acceptance of the Change Order.

**Assignment** – Successful bidder shall not assign the work of this Project without the prior written approval of the Village.

**Compliance with Laws** – The bidder shall at all times observe and comply with all laws, ordinances and regulations of the federal, state, local and Village governments, which may in any manner affect the preparation of bids or the performance of the Contract.

Bidder hereby agrees that it will comply with all requirements of the Illinois Human Rights Act, 775 ILCS 5/1-101 et seq., including the provision dealing with sexual harassment and that if awarded the Contract will not engage in any prohibited form of discrimination in employment as defined in that Act and will require that its subcontractors agree to the same restrictions. The contractor shall maintain, and require that its subcontractors maintain, policies of equal employment opportunity which shall prohibit discrimination against any employee or applicant for employment on the basis of race, religion, color, sex, national origin, ancestry, citizenship status, age, marital status, physical or mental disability unrelated to the individual's ability to perform the essential functions of the job, association with a person with a disability, or unfavorable discharge from military service. Contractors and all subcontractors shall comply with all requirements of the Act and of the Rules of the Illinois Department of Human Rights with regard to posting information on employees' rights under the Act. Contractors and all subcontractors shall place appropriate statements identifying their companies as equal opportunity employers in all advertisements for workers to be employed in work to be performed.

Not less than the Prevailing Rate of Wages as found by the Village of Orland Park or the Department of Labor shall be paid to laborers, workmen, and mechanics performing work under the Contract. If awarded the Contract, contractor must comply with all provisions of the Illinois Prevailing Wage Act, including, but not limited to, providing certified payroll records to the Village Clerk. Contractor and subcontractors shall be required to comply with all applicable federal laws, state laws and regulations regarding minimum wages, limit on payment to minors, minimum fair wage standards for minors, payment of wage due employees, and health and safety of employees. Contractor and subcontractor are required to pay employees all rightful salaries, medical benefits, pension and social security benefits pursuant to applicable labor agreements and federal and state statutes

**VILLAGE OF ORLAND PARK, ILLINOIS**  
**Concrete Deck Installation**  
**INVITATION TO BID**

and to further require withholdings and deposits therefore.

Any contractor doing work in the Village must obtain a Contractor's license from the Village of Orland's Building Department, as may be required by Village code.

**Guarantees and Warranties** - All guarantees and warranties required shall be furnished by the bidder if awarded the Contract and shall be delivered to the Finance Department before final payment on the Contract is issued.

By submitting a bid, bidder expressly warrants that materials furnished under the contract will be of good quality and new unless otherwise expressly required or permitted by the contract documents, that the work will be free from defects for one (1) year from the issuance of the final payment by the Village and deficiencies shall be corrected by the contractor under its warranty immediately upon notification from the Village.

**Alternates** - Equipment and materials are specified. Alternate equipment and or material other than those outlined within this packet will need to be specified with a cut sheet within the contractor's bid. If for any reason and at the sole discretion of the Village of Orland Park any alternate equipment and or materials are deemed to be unacceptable the entire bid may be disregarded.

**Indemnification** - The selected contractor shall indemnify and hold harmless the Village of Orland Park ("Village"), its trustees, officers, directors, agents, employees, representative and assigns, from lawsuits, actions, costs (including attorney's fees), claims or liability of any character, incurred due to the alleged negligence of the Contractor, brought because of any injuries or damages received or sustained by any person, persons or property on account of any act or omission, neglect or misconduct of said Contractor, its officers, agents and/or employees arising out of, or in performance of any of the provisions of the Contract Documents, including any claims or amounts recovered for any infringements of patent, trademark or copyright; or from any claims or amounts arising or recovered under the "Worker's Compensation Act: or any other law, ordinance, order or decree. In connection with any such claims, lawsuits, actions or liabilities, the Village, its trustees, officers, directors, agents, employees, representatives and their assigns shall have the right to defense counsel of their choice. The Contractor shall be solely liable for all costs of such defense and for all expenses, fees, judgments, settlements and all other costs arising out of such claims, lawsuits, actions or liabilities.

The Contractor shall not make any settlement or compromise of a lawsuit or claim, or fail to pursue any available avenue of appeal of any adverse judgment, without the approval of the Village and any other indemnified party. The Village or any other indemnified party, in its or their sole discretion, shall have the option of being represented by its or their own counsel. If this option is exercised, then the Contractor shall promptly reimburse the Village or other indemnified party, upon written demand, for any expenses, including but not limited to court costs, reasonable attorneys' and witnesses' fees and other expenses of litigation incurred by the Village or other indemnified party in connection therewith.

**VILLAGE OF ORLAND PARK, ILLINOIS**  
**Concrete Deck Installation**  
**INVITATION TO BID**

**BID SUBMISSION REQUIREMENTS**

**Bidder must submit two (2) complete, sealed, signed and attested copies of the bid, one (1) of which shall be a complete bound copy and one (1) of which shall be a complete, identical, unbound copy of the bid, and shall have provided all requested information, and submitted all appropriate forms, certificates, affidavits and addendum acknowledgements in each copy in order to be considered responsive. Both copies shall contain the forms with the original signatures (please include a photocopy of the bid bond in the unbound copy).**

Once submitted, no bid may be withdrawn without the Village's consent, but it may be superseded by a subsequent timely bid. Any bid received after the time and date specified for opening, or any postponement thereof, will not be considered. Bids shall be irrevocable for a period of sixty (60) calendar days after the Village opens them.

Each bidder is responsible for reading the bid documents and determining that the Plans and Specifications describe the work to be performed in sufficient detail. Failure of a bidder to do so shall not relieve the bidder of any obligation with respect to said bid. Bidders shall notify the Village of any inappropriate service, brand name, component, or equipment called for by the Village in the Plans and Specifications and shall note in its bid the adjustments made to accommodate such deficiencies in the Plans and Specifications. After bids have been opened, no bidder shall assert that there was a misunderstanding concerning the nature of the work to be done or the quantities and specifications of the equipment/materials/items to be delivered, and no such claim shall relieve a bidder from its obligation to perform. All bids must be made only on the forms provided by the Village and must be made in accordance with this Invitation to Bid and Plans and Specifications, (Project manual) all of which are on file and may be obtained for examination in the Clerk's Office at the above address and are made part of this notice as though fully set forth herein.

**Bidder Summary Sheet** – Section II includes the Bidder Summary Sheet that must be completed and submitted with the bid package.

**Bid Deposit** - No bid deposit is required to be submitted with this bid.

**References** – Bidders shall provide the Village with the names and contact information of three (3) references for which they have performed similar work. The bidders grant Village permission to contact said references and ask questions regarding prior work performance. Village shall use the information gained from bidder's references to further evaluate the bidders.

**Insurance** – Contractor shall purchase and maintain, at all times during the performance of the work under this Contract, insurance coverage and endorsements, including Worker's Compensation, Automobile Liability, Comprehensive General Liability and Excess Liability, in the amounts set forth in the Village's Insurance Requirements attached in Section II. **Bidders must sign and submit with the bid, the Insurance Requirements page, as recognition of**

**VILLAGE OF ORLAND PARK, ILLINOIS**  
**Concrete Deck Installation**  
**INVITATION TO BID**

**the insurance coverages and amounts (hereinafter referred to as “coverage(s)”) that will be required to be in place before the commencement of any work by the successful bidder.** By signing this form, the bidder is certifying that in the event the bidder does not already have the required insurance coverage in place, that the bidder has checked with their insurance carrier and verified that the coverage and endorsements requested will be able to be obtained by the bidder within ten (10) days after the date of the Notice of Award of the Contract. The bidder has the sole responsibility of verifying that the coverage and endorsements will be available for purchase and has made any and all inquiries necessary to satisfy this requirement and fully inform themselves in regards to any additional policy premiums the successful bidder may incur as a result of obtaining said required coverage's. The bidder also represents that they have taken the insurance requirements into account and at the bidders' sole discretion, has factored this into the bid prices submitted. The successful bidder is solely and entirely responsible for the payment of policy premiums and in no event will the Village of Orland Park be obligated to incur any additional expense, nor will the Village increase the amount of the Contract above the amount bid, as a result of any expense the successful bidder may incur to satisfy the obligations required herein.

**Please submit with the bid, a current policy Specimen Certificate of Insurance showing the insurance coverages the bidder currently has in force.**

Upon award of the contract, any insurance policies providing the coverage required of the Contractor shall be specifically endorsed to identify “*The Village of Orland Park, and their respective officers, trustees, directors, employees and agents as Additional Insureds on a primary/non-contributory basis with respect to all claims arising out of operations by or on behalf of the named insured.*” If the named insureds have other applicable insurance coverage, that coverage shall be deemed to be on an excess or contingent basis. The policies shall also contain a “Waiver of Subrogation in favor of the Additional Insureds in regards to General Liability and Workers Compensation coverage's.” The certificate of insurance shall also state this information on its face and endorsements will be required to be submitted if awarded the contract. Certificates of insurance must state that the insurer shall provide the Village with thirty (30) days prior written notice of any change in, or cancellation of required insurance policies. The words “endeavor to” and “but failure to do so shall impose no obligation or liability of any kind upon the insurer, its agents or representatives” must be stricken from all Certificates of Insurance submitted to the Village, but failure of the insurer to strike this reference shall not be a waiver of the obligation to provide any written notice.

**Performance Bond** – No payment or performance bonds are required to be submitted with the bid.

**Bid Price** - The submitted bid price shall include all permits, insurance, bonds, plant facilities, work and expense necessary to perform the work in accordance with the Plans and Specifications included in this bid package. The submitted bid price shall not include any amount for sales or use taxes, or any other tax from which the Village is exempt.

**VILLAGE OF ORLAND PARK, ILLINOIS**  
**Concrete Deck Installation**  
**INVITATION TO BID**

The Plans and Specifications describe the standards of construction and are not intended to describe a particular manufacturer's product.

**EVALUATION OF BIDS/BIDDERS**

The Village reserves the right to accept any bid, any part or parts thereof, or to reject any and all bids.

The Village reserves the right to waive minor informalities or irregularities in the bids received, to accept any bid deemed advantageous to the Village, or to reject any and all bids submitted. Conditional bids, or those which take exception to the Contract documents without prior written approval from the Village, may be considered non-responsive and may be rejected.

The Village may make such investigations as it deems necessary to determine the ability of the bidder to perform the work in conformity with the Contract documents, and the bidder shall furnish to the Village all such information and data for this purpose as the Village may request.

The Contract shall be awarded to the lowest responsive, responsible bidder. In determining the lowest responsive and responsible bid, consideration will be given to several factors, including but not limited to price, financial responsibility of the bidder, completion date, responsiveness to the specifications, and the experience of the Village and other purchasers with the bidders.

Award of the contract is subject to Village of Orland Park Board approval. The Corporate Authority of the Village may elect to enforce its Local Vendor Purchasing Policy (see Section III Exhibit A – Local Vendor Purchasing Policy) when awarding the contract.

By submitting its bid, the bidder agrees to furnish, upon request from the Village, all information (including a list of subcontractors and suppliers and their prices) reasonably necessary for analysis. Furthermore, the Village may request that the bidder show, in detail, the kinds, quantities, and prices of direct material and direct labor used to develop prices/costs submitted in the bid. In addition, the Village reserves the right to request and receive information explaining the estimating process, including the judgmental factors and methods used to project from known data, and the contingencies used. The Village may require the bidder to show how it computes and applies indirect costs, and to show trend and budgetary data.

The Village may also conduct a pre-award facility survey of the bidder. This survey may include, but is not limited to, determining if the bidder has the experience, capability, necessary facilities and financial resources to complete the contract in a satisfactory manner within the required time.

The Village award will be made within sixty (60) calendar days after the date of the bid opening, or any mutually agreed extension thereof.



**VILLAGE OF ORLAND PARK, ILLINOIS**  
**Concrete Deck Installation**  
**INVITATION TO BID**

**BID SUBMITTAL CHECKLIST**

In order to be responsive, the bidder must submit all of the following items:

- Sealed Bid Envelope - **Addressed to the Village of Orland Park, Attn: Village Clerk's Office**, 14700 S. Ravinia Ave., Orland Park, IL 60462, and labeled: **–Concrete Deck Installation Bid**, in the lower left hand corner.
- Bid - Bidder must submit **two (2) complete, sealed, signed and attested copies of the bid, one (1) of which shall be a complete bound copy and one (1) of which shall be a complete, identical, unbound copy of the bid**, and shall have provided all requested information, and submitted all appropriate forms, certificates, affidavits and addendum acknowledgements in each copy in order to be considered responsive. Both copies shall contain the forms with the original signatures (please include a photocopy of the bid bond in the unbound copy). Note: only need to include those required documents listed in Section II and Section III in the bid submission.
- All forms completed from Section II:
  - Bidder Summary Sheet
  - Business Organization
  - Certificate of Eligibility to Enter into Public Contracts
  - Equal Employment Opportunity
  - Certification of Compliance With the Illinois Prevailing Wage Act
  - Contractor's Certification Sexual Harassment, Tax & Substance Abuse
  - Apprenticeship and Training Program Certification
  - References
  - Insurance Requirements

## **II – REQUIRED BID SUBMISSION DOCUMENTS**

**BIDDER SUMMARY SHEET**

\_\_\_\_\_  
Project Name

IN WITNESS WHEREOF, the parties hereto have executed this Bid as of date shown below.

Firm Name: \_\_\_\_\_

Address: \_\_\_\_\_

City, State, Zip Code: \_\_\_\_\_

Contact Person: \_\_\_\_\_

FEIN #: \_\_\_\_\_

Phone: (\_\_\_\_) \_\_\_\_\_ Fax: (\_\_\_\_) \_\_\_\_\_

E-mail Address: \_\_\_\_\_

**RECEIPT OF ADDENDA:** The receipt of the following addenda is hereby acknowledged:

Addendum No. \_\_\_\_\_, Dated \_\_\_\_\_

Addendum No. \_\_\_\_\_, Dated \_\_\_\_\_

**Deck Plan S-2 (page 6)** \$ \_\_\_\_\_

**Deck Plan S-3 (page 7)** \$ \_\_\_\_\_

**TOTAL BID PRICE:** \$ \_\_\_\_\_

Signature of Authorized Signee: \_\_\_\_\_

Title: \_\_\_\_\_ Date: \_\_\_\_\_

**BUSINESS ORGANIZATION:**

\_\_\_\_\_ Sole Proprietor: An individual whose signature is affixed to this bid.

\_\_\_\_\_ Partnership: Attach sheet and state full names, titles and address of all responsible principals and/or partners. Provide percent of ownership and a copy of partnership agreement.

\_\_\_\_\_ Corporation: State of incorporation: \_\_\_\_\_  
Provide a disclosure of all officers and principals by name and business address, date of incorporation and indicate if the corporation is authorized to do business in Illinois.

In submitting this bid, it is understood that the Village of Orland Park reserves the right to reject any or all bids, to accept an alternate bid, and to waive any informalities in any bid.

In compliance with your Invitation to Bid, and subject to all conditions thereof, the undersigned offers and agrees, if this bid is accepted, to furnish the services as outlined.

\_\_\_\_\_ (Corporate Seal)  
Business Name

\_\_\_\_\_ Signature \_\_\_\_\_ Print or type name

\_\_\_\_\_ Title \_\_\_\_\_ Date

**CERTIFICATION OF ELIGIBILITY  
TO ENTER INTO PUBLIC CONTRACTS**

**IMPORTANT: THIS CERTIFICATION MUST BE EXECUTED.**

I, \_\_\_\_\_, being first duly sworn certify  
and say that I am \_\_\_\_\_  
(insert "sole owner," "partner," "president," or other proper title)

of \_\_\_\_\_, the Prime Contractor submitting this proposal, and that the Prime Contractor is not barred from contracting with any unit of state or local government as a result of a violation of either Section 33E-3, or 33E-4 of the Illinois Criminal Code, or of any similar offense of "bid-rigging" or "bid-rotating" of any state or of the United States.

\_\_\_\_\_  
Signature of Person Making Certification

Subscribed and Sworn To  
Before Me This \_\_\_\_\_ Day  
of \_\_\_\_\_, 20\_\_.

\_\_\_\_\_  
Notary Public

## EQUAL EMPLOYMENT OPPORTUNITY

**Section I.** This EQUAL EMPLOYMENT OPPORTUNITY CLAUSE is required by the Illinois Human Rights Act and the Rules and Regulations of the Illinois Department of Human Rights published at 44 Illinois Administrative Code Section 750, et seq.

**Section II.** In the event of the Contractor's noncompliance with any provision of this Equal Employment Opportunity Clause, the Illinois Human Right Act, or the Rules and Regulations for Public Contracts of the Department of Human Rights (hereinafter referred to as the Department) the Contractor may be declared non-responsible and therefore ineligible for future contracts or subcontracts with the State of Illinois or any of its political subdivisions or municipal corporations, and this agreement may be canceled or avoided in whole or in part, and such other sanctions or penalties may be imposed or remedies involved as provided by statute or regulation.

During the performance of this Agreement, the Contractor agrees:

**A.** That it will not discriminate against any employee or applicant for employment because of race, color, religion, sex, national origin or ancestry; and further that it will examine all job classifications to determine if minority persons or women are underutilized and will take appropriate affirmative action to rectify any such underutilization.

**B.** That, if it hires additional employees in order to perform this Agreement, or any portion hereof, it will determine the availability (in accordance with the Department's Rules and Regulations for Public Contracts) of minorities and women in the area(s) from which it may reasonably recruit and it will hire for each job classification for which employees are hired in such a way that minorities and women are not underutilized.

**C.** That, in all solicitations or advertisements for employees placed by it or on its behalf, it will state that all applicants will be afforded equal opportunity without discrimination because of race, color, religion, sex, marital status, national origin or ancestry, age, or physical or mental handicap unrelated to ability, or an unfavorable discharge from military service.

**D.** That it will send to each labor organization or representative of workers with which it has or is bound by a collective bargaining or other agreement or understanding, a notice advising such labor organization or representative of the Contractor's obligations under the Illinois Human Rights Act and Department's Rules and Regulations for Public Contract.

**E.** That it will submit reports as required by the Department's Rules and Regulations for Public Contracts, furnish all relevant information as may from time to time be requested by the Department or the contracting agency, and in all respects comply with the Illinois Human Rights Act and Department's Rules and Regulations for Public Contracts.

**F.** That it will permit access to all relevant books, records, accounts and work sites by personnel of the contracting agency and Department for purposes of investigation to

ascertain compliance with the Illinois Human Rights Act and Department's Rules and Regulations for Public Contracts.

**G.** That it will include verbatim or by reference the provisions of this Equal Employment Opportunity Clause in every subcontract it awards under which any portion of this Agreement obligations are undertaken or assumed, so that such provisions will be binding upon such subcontractor. In the same manner as the other provisions of this Agreement, the Contractor will be liable for compliance with applicable provisions of this clause by such subcontractors; and further it will promptly notify the contracting agency and the Department in the event any subcontractor fails or refuses to comply therewith. In addition, the Contractor will not utilize any subcontractor declared by the Illinois Human Rights Department to be ineligible for contracts or subcontracts with the State of Illinois or any of its political subdivisions or municipal corporations.

**Section III.** For the purposes of subsection G of Section II, "subcontract" means any agreement, arrangement or understanding, written or otherwise, between the Contractor and any person under which any portion of the Contractor's obligations under one or more public contracts is performed, undertaken or assumed; the term "subcontract", however, shall not include any agreement, arrangement or understanding in which the parties stand in the relationship of an employer and an employee, or between a Contractor or other organization and its customers.

**ACKNOWLEDGED AND AGREED TO:**

NAME: \_\_\_\_\_

SIGNATURE: \_\_\_\_\_

WITNESS: \_\_\_\_\_

DATE: \_\_\_\_\_

**CERTIFICATION OF COMPLIANCE WITH THE  
ILLINOIS PREVAILING WAGE ACT  
(820 ILCS 130/0.01, et seq.)**

It is hereby stipulated and certified to the Village of Orland Park, that the undersigned Contractor shall pay not less than the prevailing hourly rate of wages, the generally prevailing rate of hourly wages for legal holiday and overtime work, and the prevailing hourly rate for welfare and other benefits as determined by the Illinois Department of Labor and as set forth in the schedule of prevailing wages for this contract to all laborers, workers and mechanics performing work under this contract. The undersigned Contractor further stipulates and certifies that he/she/it has maintained a satisfactory record of Prevailing Wage Act compliance with no significant Prevailing Wage Act violations for the past three (3) years. In accordance with Public Act 94-0515, the Contractor will submit to the Village certified payroll records (to include for every worker employed on the project the name, address, telephone number, social security number, job classification, hourly wages paid in each pay period, number of hours worked each day and starting and ending time of work each day) on a monthly basis, along with a statement affirming that such records are true and accurate, that the wages paid to each worker are not less than the required prevailing rate and that the Contractor is aware that knowingly filing false records is a Class B Misdemeanor.

**Contractor:**

**By:** \_\_\_\_\_  
(Authorized Officer)

Subscribed and Sworn to  
before me this \_\_\_\_\_ day  
of \_\_\_\_\_, 20\_\_

\_\_\_\_\_  
Notary Public



**VILLAGE OF ORLAND PARK  
CONTRACTOR'S CERTIFICATION  
SEXUAL HARASSMENT, TAX & SUBSTANCE ABUSE**

\_\_\_\_\_, having been first duly sworn deposes and states as follows:  
(Officer or Owner of Company)

\_\_\_\_\_, having submitted a proposal for:  
(Name of Company)

\_\_\_\_\_  
(PROJECT)

to the Village of Orland Park, Illinois, hereby certifies that the undersigned Contractor:

1. has a written sexual harassment policy in place in full compliance with 775 ILCS 5/2-105(A)(4).
2. is not delinquent in the payment of any tax administered by the Illinois Department of Revenue, or if:
  - a. it is contesting its liability for the tax or the amount of tax in accordance with procedures established by the approved Revenue Act; or
  - b. it has entered into an agreement with the Department of Revenue for payment of all taxes due and is currently in compliance with that agreement.
3. is in full compliance with the Federal Highway Administration Rules on Controlled Substances and Alcohol Use and Testing, 49 CFR Parts 40 and 382 and that \_\_\_\_\_ is/are currently participating  
(Name of employee/driver or "all employee drivers")  
in a drug and alcohol testing program pursuant to the aforementioned rules.

\_\_\_ 4A. has in place a written program which meets or exceeds the program requirements of the Substance Abuse Prevention on Public Works Projects Act (Public Act 95-0635), and has provided a written copy thereof to the Village of Orland Park; or

\_\_\_ 4B. has in place a collective bargaining agreement which deals with the subject matter of the Substance Abuse Prevention on Public Works Projects Act (Public Act 95-0635).

(Check either 4A or 4B, depending upon which certification is correct.)

By: \_\_\_\_\_  
Officer or Owner of Company named above

Subscribed and sworn to  
Before me this \_\_\_\_\_  
Day of \_\_\_\_\_, 20\_\_.

\_\_\_\_\_  
Notary Public

**APPRENTICESHIP AND TRAINING PROGRAM CERTIFICATION**

I, \_\_\_\_\_, having been first duly sworn depose and state as follows:

I, \_\_\_\_\_, am the duly authorized agent for \_\_\_\_\_, which has submitted a bid to the Village of Orland Park for

\_\_\_\_\_ and I hereby certify  
(Name of Project)

that \_\_\_\_\_  
(Name of Company)

participates in apprenticeship and training programs approved and registered with the United States Department of Labor Bureau of Apprenticeship and Training.

By: \_\_\_\_\_

Title: \_\_\_\_\_

Subscribed and Sworn to  
Before me this \_\_\_\_\_  
Day of \_\_\_\_\_, 20\_\_

\_\_\_\_\_  
Notary Public

**REFERENCES**

**(Please type)**

ORGANIZATION \_\_\_\_\_

ADDRESS \_\_\_\_\_

CITY, STATE, ZIP \_\_\_\_\_

PHONE NUMBER \_\_\_\_\_

CONTACT PERSON \_\_\_\_\_

DATE OF PROJECT \_\_\_\_\_

ORGANIZATION \_\_\_\_\_

ADDRESS \_\_\_\_\_

CITY, STATE, ZIP \_\_\_\_\_

PHONE NUMBER \_\_\_\_\_

CONTACT PERSON \_\_\_\_\_

DATE OF PROJECT \_\_\_\_\_

ORGANIZATION \_\_\_\_\_

ADDRESS \_\_\_\_\_

CITY, STATE, ZIP \_\_\_\_\_

PHONE NUMBER \_\_\_\_\_

CONTACT PERSON \_\_\_\_\_

DATE OF PROJECT \_\_\_\_\_

Bidder's Name: \_\_\_\_\_

Signature & Date: \_\_\_\_\_

**INSURANCE REQUIREMENTS**

*Please submit a policy Specimen Certificate of Insurance showing bidder’s current coverage’s*

**WORKERS COMPENSATION & EMPLOYER LIABILITY**

\$500,000 – Each Accident  
\$500,000 – Policy Limit  
\$500,000 – Each Employee  
Waiver of Subrogation in favor of the Village of Orland Park

**AUTOMOBILE LIABILITY**

\$1,000,000 – Combined Single Limit  
Additional Insured Endorsement in favor of the Village of Orland Park

**GENERAL LIABILITY (Occurrence basis)**

\$1,000,000 – Each Occurrence  
\$2,000,000 – General Aggregate Limit  
\$1,000,000 – Personal & Advertising Injury  
\$2,000,000 – Products/Completed Operations Aggregate  
Additional Insured Endorsement & Waiver of Subrogation in favor of the Village of Orland Park

**EXCESS LIABILITY (Umbrella-Follow Form Policy)**

\$2,000,000 – Each Occurrence  
\$2,000,000 – Aggregate  
**EXCESS MUST COVER:** General Liability, Automobile Liability, Workers Compensation

Any insurance policies providing the coverage required of the Contractor, shall be specifically endorsed to identify “The Village of Orland Park, and their respective officers, trustees, directors, employees and agents as Additional Insureds on a primary/non-contributory basis with respect to all claims arising out of operations by or on behalf of the named insured.” If the named insureds have other applicable insurance coverage, that coverage shall be deemed to be on an excess or contingent basis. The policies shall also contain a Waiver of Subrogation in favor of the Additional Insureds in regards to General Liability and Workers Compensation coverage’s. The certificate of insurance shall also state this information on its face. Certificates of insurance must state that the insurer shall provide the Village with thirty (30) days prior written notice of any change in, or cancellation of required insurance policies. The words “endeavor to” and “, but failure to do so shall impose no obligation or liability of any kind upon the insurer, its agents or representatives” must be stricken from all Certificates of Insurance submitted to the Village. Any insurance company providing coverage must hold an A VII rating according to Best’s Key Rating Guide. Permitting the contractor, or any subcontractor, to proceed with any work prior to our receipt of the foregoing certificate and endorsement however, shall not be a waiver of the contractor’s obligation to provide all of the above insurance.

The bidder agrees that if they are the selected contractor, within ten days after the date of notice of the award of the contract and prior to the commencement of any work, you will furnish evidence of Insurance coverage providing for at minimum the coverages and limits described above directly to the Village of Orland Park, Denise Domalewski, Contract Administrator, 14700 S. Ravinia Avenue, Orland Park, IL 60462. Failure to provide this evidence in the time frame specified and prior to beginning of work may result in the termination of the Village’s relationship with the selected bidder and the bid will be awarded to the next lowest bidder or result in creation of a new bid.

ACCEPTED & AGREED THIS \_\_\_\_ DAY OF \_\_\_\_\_, 20\_\_

\_\_\_\_\_  
Signature

Authorized to execute agreements for:

\_\_\_\_\_  
Printed Name & Title

\_\_\_\_\_  
Name of Company

### **III – ADDITIONAL INFORMATION (EXHIBITS)**

**EXHIBIT A**

**VILLAGE OF ORLAND PARK  
LOCAL VENDOR PURCHASING POLICY**

The Village of Orland Park believes it is important to provide local vendors with opportunities to provide goods and services to the Village of Orland Park. This belief is based upon the fact that the active uses of commercial properties in the Village benefits the community through stabilization of the property tax base, the creation of local sales tax and the provision of employment opportunities for citizens of the community and surrounding region.

In an effort to promote the aforementioned benefits, the Village of Orland Park wishes to provide local vendors with preferential treatment when competing for contracts with the Village. A local vendor is defined as a business that has an actual business location within the corporate boundaries of Orland Park and is licensed by the Village. The Village will not award a contract to a local vendor when the difference between the local vendors bid and the otherwise lowest responsive and responsible bid exceeds the applicable percentage indicated below. As such, when considering contracts, the Village reserves the right to forego the lowest responsive and responsible bid in favor of a local vendor under the following circumstances:

<u>Contract Value</u>	<u>Range (up to a maximum of)</u>
\$0 - \$250,000	2.00%
\$250,000 - 1,000,000	1.50%
\$1,000,000 - 2,000,000	1.00%
Greater than \$2,000,000	Not Applicable

Under no circumstance will any contract be awarded to a local vendor when the local vendor's bid exceeds the lowest responsive and responsible bid by \$20,000 or more.

This Policy shall ONLY apply if formal notice of the aforementioned criteria is provided as part of the bid specifications. In addition, it should be noted that the Village of Orland Park shall not be obligated to forego the low bidder in favor of the local vendor under any circumstances. However, this Policy simply provides the Village with the option of doing so when applicable. Furthermore, this Policy shall not apply in any situation where any portion of the contract amount is being paid with funds other than Village monies. Specifically, this Policy shall not apply in any situation where the Village has received a grant or otherwise received a source of funds other than its own funds.

**EXHIBIT B  
SAMPLE CONTRACT**

**VILLAGE OF ORLAND PARK  
(Contract for Small Construction or Installation Project)**

This Contract is made this \_\_\_\_\_ day of \_\_\_\_\_, 20\_ by and between the Village of Orland Park (hereinafter referred to as the “VILLAGE”) and \_\_\_\_\_ (hereinafter referred to as the “CONTRACTOR”).

**WITNESSETH**

In consideration of the promises and covenants made herein by the VILLAGE and the CONTRACTOR (hereinafter referred to collectively as the “PARTIES”), the PARTIES agree as follows:

**SECTION 1: THE CONTRACT DOCUMENTS:** This Contract shall include the following documents (hereinafter referred to as the “CONTRACT DOCUMENTS”) however this Contract takes precedence and controls over any contrary provision in any of the CONTRACT DOCUMENTS. The Contract, including the CONTRACT DOCUMENTS, expresses the entire agreement between the PARTIES and where it modifies, adds to or deletes provisions in other CONTRACT DOCUMENTS, the Contract’s provisions shall prevail. Provisions in the CONTRACT DOCUMENTS unmodified by this Contract shall be in full force and effect in their unaltered condition.

- The Contract
- The Terms and General Conditions pertaining to the Contract
- The VILLAGE’S Project Manual for the Work as described in Section 2 hereunder
  - o The Invitation to Bid
  - o The Instructions to the Bidders
- The Bid Proposal as it is responsive to the VILLAGE’s bid requirements
- All Certifications required by the VILLAGE
- Certificates of Insurance
- Performance and Payment Bonds required by the VILLAGE

**SECTION 2: SCOPE OF THE WORK AND PAYMENT:** The CONTRACTOR agrees to provide labor, equipment and materials necessary to perform the following:

---

---

---

---

(hereinafter referred to as the “WORK”) as described in the VILLAGE’S Project Manual (Bid Documents) and the VILLAGE agrees to pay the CONTRACTOR pursuant to the provisions of the Local Government Prompt Payment Act (50 ILCS 505/1 *et seq.*) the following amounts for the WORK:

Unit Prices (if any):

_____	_____
_____	_____
_____	_____

Alternates chosen:

\_\_\_\_\_

\_\_\_\_\_

TOTAL: \_\_\_\_\_ No/100 (\$ \_\_\_\_\_) Dollars  
 (hereinafter referred to as the "CONTRACT SUM.") The CONTRACT SUM shall not be increased without the express written consent of the VILLAGE.

**SECTION 3: ASSIGNMENT:** CONTRACTOR shall not assign the duties and obligations involved in the performance of the WORK except to the list of Subcontractors approved by the Village, which approval shall not be unreasonably withheld.

**SECTION 4: TERM OF THE CONTRACT:** The CONTRACTOR shall commence the WORK of this Contract upon receipt of a Notice to Proceed and shall complete performance of the WORK of this Contract by \_\_\_\_\_, (hereinafter referred to as the "CONTRACT TIME.") Failure to meet the CONTRACT TIME shall be considered an occasion of default under the CONTRACT DOCUMENTS. The CONTRACT TIME shall not be increased without the express written consent of the VILLAGE. Final payment shall be made by the VILLAGE upon inspection of the WORK, completion of any punch list items and after receipt of final release and waiver of liens in accordance with the requirements of the CONTRACT DOCUMENTS. This Contract may be terminated by the VILLAGE for convenience or by either of the PARTIES for default in the performance of the duties of the PARTIES as described in the CONTRACT DOCUMENTS upon thirty (30) day's written notice provided as required herein.

**SECTION 5: INDEMNIFICATION AND INSURANCE:** The CONTRACTOR shall indemnify and hold harmless the VILLAGE, its trustees, officers, directors, agents, employees and representatives and assigns, from lawsuits, actions, costs (including attorneys' fees), claims or liability of any character, incurred due to the alleged negligence of the CONTRACTOR, brought because of any injuries or damages received or sustained by any person, persons or property on account of any act or omission, neglect or misconduct of said CONTRACTOR, its officers, agents and/or employees arising out of, or in performance of any of the provisions of the CONTRACT DOCUMENTS, including any claims or amounts recovered for any infringements of patent, trademark or copyright; or from any claims or amounts arising or recovered under the "Worker's Compensation Act" or any other law, ordinance, order or decree. In connection with any such claims, lawsuits, actions or liabilities, the VILLAGE, its trustees, officers, directors, agents, employees, representatives and their assigns shall have the right to defense counsel of their choice. The CONTRACTOR shall be solely liable for all costs of such defense and for all expenses, fees, judgments, settlements and all other costs arising out of such claims, lawsuits, actions or liabilities.



The Contractor shall not make any settlement or compromise of a lawsuit or claim, or fail to pursue any available avenue of appeal of any adverse judgment, without the approval of the Village and any other indemnified party. The Village or any other indemnified party, in its or their sole discretion, shall have the option of being represented by its or their own counsel. If this option is exercised, then the Contractor shall promptly reimburse the Village or other indemnified party, upon written demand, for any expenses, including but not limited to court costs, reasonable attorneys' and witnesses' fees and other expenses of litigation incurred by the Village or other indemnified party in connection therewith.

The indemnification obligation under this paragraph shall not be limited in any way by any limitations on the amount or type of damages, compensation or benefits payable by or for the benefit of Subcontractor or any indemnities under any Worker's Compensation Act, Occupational Disease Act, Disability Benefits Act, or any other employee benefits act. The Subcontractor further agrees to waive any and all liability limitations based upon the Worker's Compensation Act court interpretations or otherwise.

Execution of this Contract by the VILLAGE is contingent upon receipt of Insurance Certificates provided by the CONTRACTOR in compliance with the CONTRACT DOCUMENTS.

**SECTION 6: COMPLIANCE WITH LAWS:** CONTRACTOR agrees to comply with all federal, state and local laws, ordinances, statutes, rules and regulations including but not limited to all applicable provisions of the Illinois Human Rights Act (775 ILCS 5/1-101 *et seq.*) and the Illinois Prevailing Wage Act (820 ILCS 130/1 *et seq.*)

**SECTION 7: FREEDOM OF INFORMATION ACT COMPLIANCE:** The Illinois Freedom of Information Act (FOIA) has been amended and effective January 1, 2010. This amendment adds a new provision to Section 7 of the Act which applies to public records in the possession of a party with whom the Village of Orland Park has contracted. The Village of Orland Park will have only a very short period of time from receipt of a FOIA request to comply with the request, and there is a significant amount of work required to process a request including collating and reviewing the information.

The undersigned acknowledges the requirements of FOIA and agrees to comply with all requests made by the Village of Orland Park for public records (as that term is defined by Section 2(c) of FOIA) in the undersigned's possession and to provide the requested public records to the Village of Orland Park within two (2) business days of the request being made by the Village of Orland Park. The undersigned agrees to indemnify and hold harmless the Village of Orland Park from all claims, costs, penalty, losses and injuries (including but not limited to, attorney's fees, other professional fees, court costs and/or arbitration or other dispute resolution costs) arising out of or relating to its failure to provide the public records to the Village of Orland Park under this agreement.

**SECTION 8: NOTICE:** Where notice is required by the CONTRACT DOCUMENTS, it shall be considered received if it is 1) delivered in person, 2) sent by registered United States mail, return receipt requested, 3) delivered by messenger or mail service with a signed receipt, 4) sent by facsimile with an acknowledgment of receipt, or 4) by e-mail with an acknowledgment of receipt only if the PARTIES agree separately to use e-mail for providing notice. Notice shall be sent to the following:

To the VILLAGE:  
Denise Domalewski, Contract Administrator  
Village of Orland Park  
14700 South Ravinia Avenue  
Orland Park, Illinois 60462  
Telephone: 708-403-6173  
Facsimile: 708-403-9212  
e-mail: [ddomalewski@orland-park.il.us](mailto:ddomalewski@orland-park.il.us)

To the CONTRACTOR:  
  
Telephone:  
Facsimile:  
e-mail:

or to such other persons or to such other addresses as may be provided by one party to the other party under the requirements of this Section.

**SECTION 9: LAW AND VENUE:** The law of the State of Illinois shall apply to this Agreement and venue for legal disputes shall be Cook County, Illinois.

**SECTION 10: MODIFICATION:** This Contract may be modified only by a written amendment signed by both PARTIES.

**SECTION 11: COUNTERPARTS:** This Contract may be executed in two (2) or more counterparts, each of which taken together, shall constitute one and the same instrument.

This Contract shall become effective on the date first shown herein and upon execution by duly authorized agents of the PARTIES.

FOR: THE VILLAGE

FOR: THE CONTRACTOR

By: \_\_\_\_\_

By: \_\_\_\_\_

Print name: \_\_\_\_\_

Print name: \_\_\_\_\_

Its: Village Manager

Its: \_\_\_\_\_

Date: \_\_\_\_\_

Date: \_\_\_\_\_

**Exhibit C**  
**Sample Terms & General Conditions**

VILLAGE OF ORLAND PARK

Terms and General Conditions for the Contract between THE VILLAGE OF ORLAND PARK (the “VILLAGE”) and \_\_\_\_\_ (the “CONTRACTOR”) for \_\_\_\_\_ (the “WORK”) dated \_\_\_\_\_, 20\_\_ (the “CONTRACT”).

***ARTICLE 1: DUTIES OF THE PARTIES***

1.1 VILLAGE’S RIGHTS AND DUTIES

- 1.1.1 Upon request of the CONTRACTOR the VILLAGE shall furnish, with reasonable promptness, information necessary for the performance of the WORK of the CONTRACT including, where needed, land surveys showing boundaries, topography, the location of utilities and a legal description of the site where the WORK is to be performed.
- 1.1.2 The VILLAGE shall furnish access to its buildings and the site of the WORK as is necessary for the performance of the WORK and shall provide, at its own expense, as needed, temporary or permanent easements, zoning and other requirements including removal of encumbrances on the land needed to permit performance of the WORK.
- 1.1.3 The VILLAGE shall have the right to stop the WORK by a written order should the CONTRACTOR fail to correct Work not in accordance with the Contract Documents which will remain in effect until the WORK is corrected without giving rise to any duty on the part of the VILLAGE to stop the WORK for the benefit of the CONTRACTOR or any other entity.
- 1.1.4 The VILLAGE may, if the CONTRACTOR does not correct Work to make it conform to the Contract Documents, or cure a default, with reasonable promptness after receiving a written notice from the VILLAGE, correct the default itself and deduct the reasonable cost of the correction or cure from the amounts owed to the CONTRACTOR.

1.2 CONTRACTOR’S RIGHTS AND DUTIES

- 1.2.1 The CONTRACTOR shall perform the WORK in accordance with the Contract Documents.
- 1.2.2 The CONTRACTOR shall examine existing conditions and take field measurements to facilitate the performance of the WORK and shall report to the VILLAGE or, where applicable, to the Architect, any errors, inconsistencies or omissions

discovered. Contractor is not required to determine whether the Contract Documents conform to applicable local, state or federal statutes, ordinances, codes, rules or regulations, but where such nonconformity is found, Contractor shall report such to the VILLAGE, or where applicable, to the Architect.

- 1.2.3 Contractor shall pay for all material and labor necessary for the performance of the WORK and, unless agreed otherwise with the VILLAGE in a separate written document, for all utilities required such as light, heat and water.
- 1.2.4 Contractor warrants that the WORK shall contain material and equipment of good quality that is new and that the WORK and workmanship shall be free from defects for one (1) year after final payment or the length of time guaranteed under the warranty provided by the CONTRACTOR, whichever is greater. Where there are deficiencies, Contractor agrees to correct them with reasonable promptness after receiving notice of said deficiencies from the VILLAGE. All manufacturers' guarantees and warranties shall be delivered to the VILLAGE prior to the issuance of final payment.
- 1.2.5 Contractor shall work expeditiously to complete the WORK by the agreed upon date and, where necessary to accomplish that goal, shall work overtime without additional compensation.
- 1.2.6 Contractor shall seek, obtain and pay for all required building permits, licenses, and governmental inspections of the WORK.
- 1.2.7 Contractor shall comply with all local, state and federal statutes, ordinances, codes, rules, regulations and all case law pertaining to the performance of the WORK, including but not limited to all of the applicable provisions of the Illinois Prevailing Wage Act (820 ILCS 130/1 *et seq.*) and the Illinois Human Rights Act (775 ILCS 5/1-01 *et seq.*) Neither the CONTRACTOR nor its Subcontractors shall engage in any prohibited form of discrimination in employment as defined in the Illinois Human Rights Act. The CONTRACTOR shall maintain, and require that its Subcontractors maintain, policies of equal employment opportunity which shall prohibit discrimination against any employee or applicant for employment on the basis of race, religion, color, sex, national origin, ancestry, citizenship status, age, marital status, physical or mental disability unrelated to the individual's ability to perform the essential functions of the job, association with a person with a disability, or unfavorable discharge from military service. Contractors and all Subcontractors shall comply with all requirements of the Act including maintaining a sexual harassment policy and of the Rules of the Illinois Department of Human Rights with regard to posting information on employees' rights under the Act. Contractors and all Subcontractors shall place appropriate statements identifying their companies as equal opportunity employers in all advertisements for workers to be employed in work to be performed under the CONTRACT.
- 1.2.8 Contractor will not be relieved of any obligation to the VILLAGE due to failure to

examine or receive documents, visit or become familiar with conditions or from facts of which Contractor should have been aware and Village, as existing law may allow, shall reject all claims related thereto.

## **ARTICLE 2: CONTRACT DOCUMENTS**

2.1 The Contract Documents consist of the following items:

- .1 Agreement between the parties
- .2 General Conditions to the Agreement
- .3 Special Conditions to the Agreement, if any
- .4 The Project Manual dated \_\_\_\_\_ which includes
  - Instructions to the Bidders
  - Invitation to Bid
  - Specifications and Drawings, if any
- .5 Accepted Bid Proposal as it conforms to the bid requirements
- .6 Addenda, if any
- .7 Required Certificates of Insurance
- .8 Required Certifications
- .9 Performance and Payment Bonds if required

## **ARTICLE 3: PAYMENTS AND COMPLETION**

3.1 The VILLAGE requires for each Application for Payment, a properly completed Contractor's Affidavit setting out, under oath, the name, address and amount due or to become due, of each subcontractor, vendor, supplier or other appropriate party included in that payment. For every party listed the CONTRACTOR shall also provide a full or partial waiver of lien, as appropriate, before a payment will be made to the CONTRACTOR. The CONTRACTOR's partial or final waiver of lien must be included. Payment certificates shall not be issued by Architect or payment shall not be made by the VILLAGE without such mechanics' lien waivers and contractors' sworn statements unless they are conditioned upon receipt of such waivers and statements.

3.2 No certificate shall be issued in favor of the CONTRACTOR and no payment will be made by the VILLAGE for material not actually installed and built into the WORK without written authorization for the VILLAGE.

3.3 Upon satisfaction of the terms and conditions of the CONTRACT, the CONTRACTOR agrees to provide the VILLAGE with a final release and waiver of all liens covering all of the WORK performed under the CONTRACT relative to the project prior to issuance of final payment. Said final waiver of lien shall identify and state that all Subcontractors have been paid in full and there are no contract balances outstanding and owed to any Subcontractor.

3.4 All payments shall be made to Contractor by Village pursuant to the provisions of the Local Government Prompt Payment Act (50 ILCS 505/1 *et seq.*)

#### ***ARTICLE 4: TAXES***

4.1 The VILLAGE is a public body and is exempt from excise, sales and use taxes and will furnish Contractor with exemption numbers as required. Contractor shall not include any such taxes in its cost figures.

#### ***ARTICLE 5: INSPECTION OF MATERIALS***

5.1 The VILLAGE shall have a right to inspect any materials or equipment to be used in carrying out this contract. The CONTRACTOR shall be responsible for the contracted quality and standards of all materials, equipment, components or completed work finished under this contract up to the time of final acceptance by the VILLAGE. Materials, equipment, components or completed work not complying therewith may be rejected by the VILLAGE and shall be removed and replaced by the CONTRACTOR at no cost to the VILLAGE.

#### ***ARTICLE 6: ASSIGNMENT***

6.1 The CONTRACTOR's duties and obligations under the CONTRACT shall not be assigned without the express written consent of the VILLAGE.

6.2 Work not performed by the CONTRACTOR with its own forces shall be performed by Subcontractors or Sub-subcontractors. The CONTRACTOR shall be responsible for management of the Subcontractors in the performance of their Work.

6.3 The CONTRACTOR shall not contract with anyone to whom the VILLAGE has a reasonable objection.

6.4 The CONTRACTOR shall prepare all Subcontracts and shall have full discretion to negotiate their terms, subject to the VILLAGE's reasonable requirements or objections as to form and content.

6.5 By appropriate agreement, written where legally required for validity, the CONTRACTOR shall require each Subcontractor, to the extent of the WORK to be performed by the Subcontractor, to be bound to the CONTRACTOR by terms of the Contract Documents, and to assume toward the CONTRACTOR all the obligations and responsibilities, including the responsibility for safety of the Subcontractor's Work, which the CONTRACTOR, by these Documents, assumes toward the VILLAGE. Each subcontract agreement shall preserve and protect the rights of the VILLAGE under the Contract Documents with respect to the work to be performed by the Subcontractor so that subcontracting thereof will not prejudice such rights, and shall allow to the Subcontractor, unless specifically provided otherwise in the subcontract agreement, the benefit of all rights, remedies and redress against the CONTRACTOR that the CONTRACTOR, by the Contract Documents, has against the VILLAGE. Where appropriate, the CONTRACTOR shall require each Subcontractor to enter into similar agreements with Sub-subcontractors. The CONTRACTOR shall make available to each proposed Subcontractor, prior to the execution of the subcontract agreement, copies of the Contract Documents to which the Subcontractor will be bound, and, upon written request of the

Subcontractor, identify to the Subcontractor terms and conditions of the proposed subcontract agreement which may be at variance with the Contract Documents. Subcontractors will similarly make copies of applicable portions of such documents available to their respective proposed Sub-subcontractors.

#### ***ARTICLE 7: GUARANTEES AND WARRANTIES***

7.1 All guarantees and warranties required shall be furnished by the CONTRACTOR and shall be delivered to the VILLAGE before final voucher on the CONTRACT is issued.

7.2 Contractor shall supply the VILLAGE with “as-built” plans prior to the VILLAGE making the final payment.

#### ***ARTICLE 8: DEFAULT***

8.1 If the CONTRACTOR fails to begin the WORK under this contract within the time specified, or fails to perform the WORK with sufficient workmen, equipment or materials to insure the completion of said Work within the specified time, or shall perform the WORK in an unsatisfactory manner, or shall neglect or refuse to remove materials or perform anew such work as shall be rejected as defective or unsuitable by reason of defect in material or workmanship or by reason of noncompliance with the specifications, or shall discontinue the prosecution of the WORK, or if the CONTRACTOR shall become insolvent or be declared bankrupt, or shall make an assignment for the benefit of creditors, or from any other cause whatsoever shall fail to carry on the WORK in an acceptable manner, the VILLAGE shall give notice to the CONTRACTOR and his surety in writing specifying such failure, delay, neglect, refusal or default, and if the CONTRACTOR, within a period of ten (10) calendar days after such notice, shall not proceed in accordance therewith, then the VILLAGE shall have full power and authority to declare the forfeiture of this contract, and to forfeit the rights of the CONTRACTOR in this contract.

8.2 Upon declaration of Contractor’s default, the VILLAGE may, at his option, call upon the surety to complete the WORK in accordance with the terms of this contract or may take over the WORK, including any materials and equipment on the work site as may be suitable and acceptable to the VILLAGE and may complete the WORK by or on its own force account, or may enter into a new contract for the completion of the WORK, or may use such other methods as shall be required for the completion of the WORK in an acceptable manner.

8.3 All costs and charges incurred by the VILLAGE, together with the cost of completing the WORK shall be deducted from any moneys due or which may become due on this contract. In case the expense so incurred by the VILLAGE shall be less than the sum which would have been payable under this contract if it had been completed by the CONTRACTOR and had not been forfeited by the VILLAGE, then the CONTRACTOR shall be entitled to receive the difference, and in case such expense shall exceed the sum which would have been payable under this contract, the CONTRACTOR and the surety shall be liable and shall pay to the VILLAGE the amount of such excess.

## ***ARTICLE 9: DISPUTES AND VENUE***

9.1 If an Architect or Engineer has contracted with the VILLAGE to administer the CONTRACT between Village and Contractor, disputes shall be handled with the involvement of the Architect or Engineer according to the terms of the CONTRACT between the VILLAGE and the Architect or Engineer and any reference made herein to “Architect” shall be read as “Engineer” where applicable. In any other case, disputes concerning a question of fact under the CONTRACT shall be expressed in writing by the parties and, if within seven (7) days after receipt of such notice the parties have disposed of the dispute by agreement, the dispute, as it was expressed in writing by the parties, shall be subject to mediation under terms agreed to by the parties. Pending final decision of a dispute hereunder, the parties shall proceed diligently with the performance of the CONTRACT.

9.2 Any legal action taken by either party shall be decided based upon the laws of the State of Illinois and venue for such disputes shall be Cook County, Illinois.

## ***ARTICLE 10: CONTRACT TIME***

10.1 Time is of the essence of the CONTRACT. Village shall not grant, and Contractor shall not seek damages for delays; however, Village shall grant an increase in the Contract Time for delay not caused by Contractor, its Subcontractors or others for whose actions Contractor is liable.

## ***ARTICLE 11: INSURANCE AND INDEMNIFICATION***

### **11.1 Insurance Requirements**

11.1.1 The successful bidder shall, within ten (10) business days of said receipt of notice of award of the CONTRACT, furnish to the VILLAGE a certificate of insurance showing the VILLAGE, its trustees, officers, directors, agents, employees, representatives and assigns as additional insureds to the General Liability and Automobile Liability policies by appropriate endorsement. Such coverages shall be placed with a provider acceptable to the VILLAGE, which is licensed to do business in the State of Illinois, and that maintains a minimum A. M. Best rating of A VII. The insurance coverages afforded under the CONTRACTOR’s General Liability insurance policies shall be primary and non-contributory to any insurance carried independently by the Indemnitees. A Waiver of Subrogation in favor of the Additional Insureds shall apply to General liability and Worker’s Compensation. Certificates of insurance must state that the insurer shall provide the VILLAGE with thirty (30) days prior written notice of any change in, or cancellation of required insurance policies. All required insurance shall be maintained by the CONTRACTOR in full force and effect during the life of the CONTRACT, and until such time as all work has been approved and accepted by the VILLAGE. This provision constitutes the VILLAGE’s continuing demand for such certificates and endorsement(s) or true and correct copies thereof and the obligation to provide such insurance coverage shall be in full force and effect



during the life of the CONTRACT. Failure of the VILLAGE to request such certificates and endorsements shall not relieve the CONTRACTOR of these obligations to provide insurance.

The amounts and types of insurance required are:

.1 Worker's Compensation: STATUTORY coverage for all persons whom the CONTRACTOR may employ directly or through subcontractors in carrying out the WORK under this contract. Such insurance shall hold the VILLAGE free and harmless of all personal injuries of all persons whom the CONTRACTOR may employ directly or through Subcontractors.

.2 Employers Liability: \$500,000 minimum liability.

.3 Comprehensive General Liability; including Bodily Injury and Property Damage.

\$1,000,000 Each Occurrence - Combined Single Limit  
\$2,000,000 Aggregate - Completed Operations  
\$2,000,000 Each Occurrence - Blanket Contractual Liability

.4 Comprehensive Automobile Liability, Owned, Non-owned and Hired:

\$1,000,000 for Combined Single Limit.

.5 Umbrella/Excess Liability:

\$2,000,000 Each Occurrence

11.1.2 Contractor shall cause each Subcontractor to maintain insurance of the type specified above. When requested by the VILLAGE, Contractor shall furnish copies of certificates of insurance evidencing coverage for each Subcontractor.

## 11.2 Indemnification

11.2.1 The CONTRACTOR shall indemnify and hold harmless the VILLAGE, its trustees, officers, directors, agents, employees and representatives and assigns, from lawsuits, actions, costs (including attorneys' fees), claims or liability of any character, incurred due to the alleged negligence of the CONTRACTOR, brought because of any injuries or damages received or sustained by any person, persons or property on account of any act or omission, neglect or misconduct of said CONTRACTOR, its officers, agents and/or employees arising out of, or in performance of any of the provisions of the Contract Documents, including any claims or amounts recovered for any infringements of patent, trademark or copyright; or from any claims or amounts arising or recovered under the "Worker's Compensation Act" or any other law, ordinance, order or decree. In connection with any such claims, lawsuits, actions or liabilities, the VILLAGE, its trustees, officers, directors, agents, employees, representatives and their assigns shall have the right to

defense counsel of their choice. The CONTRACTOR shall be solely liable for all costs of such defense and for all expenses, fees, judgments, settlements and all other costs arising out of such claims, lawsuits, actions or liabilities.

11.2.2 The CONTRACTOR shall not make any settlement or compromise of a lawsuit or claim, or fail to pursue any available avenue of appeal of any adverse judgment, without the approval of the VILLAGE and any other indemnified party. The VILLAGE or any other indemnified party, in its or their sole discretion, shall have the option of being represented by its or their own counsel. If this option is exercised, then the CONTRACTOR shall promptly reimburse the VILLAGE or other indemnified party, upon written demand, for any expenses, including but not limited to court costs, reasonable attorneys' and witnesses' fees and other expenses of litigation incurred by the VILLAGE or other indemnified party in connection therewith.

## ***ARTICLE 12: PERFORMANCE AND PAYMENT BONDS***

12.1 The CONTRACTOR shall furnish Performance and Payment Bonds acceptable to the VILLAGE in the full amount of the CONTRACT. Bonds shall be from a surety licensed to do business in Illinois and said surety shall have a minimum A.M. Best rating of A-V. Each Bond shall require a time period during which the Bond can be called limited only to the extent required by Illinois law.

## ***ARTICLE 13: EXECUTION OF CONTRACT***

13.1 Execution of the CONTRACT between Village and Contractor is contingent upon receipt of required Certificates of Insurance, required signed certifications and required Performance and Payment Bonds.

## ***ARTICLE 14: CHANGES IN THE WORK***

14.1 All changes in the WORK must be approved by the VILLAGE in a written document. Any change order or series of change orders that increase or decrease the Contract Sum by a total of \$10,000 or more or that increase or decrease the Contract Time by thirty (30) days or more must be accompanied by a written determination signed by the VILLAGE or its designee finding that the change was not reasonably foreseeable at the time the CONTRACT was signed, the change is germane to the CONTRACT or the change is in the best interest of the VILLAGE. Any change increasing the original Contract Sum by fifty percent (50%) or more must be re-bid by the VILLAGE as required by law.

## ***ARTICLE 15: TERMINATION***

15.1 The VILLAGE may, at any time, terminate the CONTRACT for the VILLAGE's convenience and without cause upon written notice to the CONTRACTOR and payment for all Work directed to be performed prior to the effective date of termination along with reasonable overhead and profit.